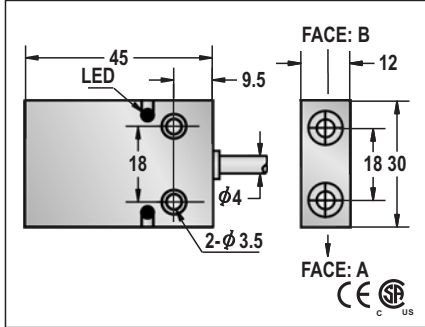


Q30x45x12、Q40

DC INDUCTIVE PROXIMITY SWITCH DOUBLE SENSOR TYPE

DC INDUCTIVE PROXIMITY SWITCH
DOUBLE SENSOR TYPE

Q30x45x12
●
2 mm
PBT RESIN
●



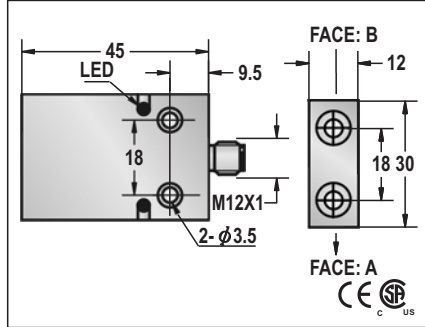
10-30VDC or 10-55VDC
<10%
<10mA or <20mA
200mA
<0.01mA
-
<1.5V or <2.0V
2KHZ
0.1ms/0.1ms
<15%(Sr)
<1.0%(Sr)
IP67
-25°C - +70°C
<10%(Sr)
YES
220mA
<10ms
RFI>3V/m / EFT>1KV / ESD>4KV (contact)
IEC 60947-5-2,Part 7.4.1 / IEC 60947-5-2,Part 7.4.2
PBT

FQP1-3202N-A3U2F	85
FQP1-3202N-B3U2F	86
FQP1-3202P-A3U2F	87
FQP1-3202P-B3U2F	88
HQP1-3202N-A3U2F	85
HQP1-3202N-B3U2F	86
HQP1-3202P-A3U2F	87
HQP1-3202P-B3U2F	88

1. Voltage Drop:<1.5V(10-30V),<2V(10-55V).
2. 10-55V type: No Load Current < 20mA.

4 φ 3x0.15
Approx.100 g

Q30x45x12
●
2 mm
PBT RESIN
●



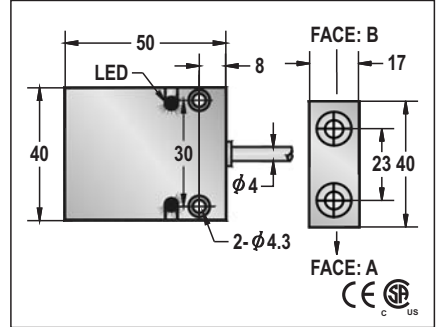
10-30VDC or 10-55VDC
<10%
<10mA or <20mA
200mA
<0.01mA
-
<1.5V or <2.0V
2KHZ
0.1ms/0.1ms
<15%(Sr)
<1.0%(Sr)
IP67
-25°C - +70°C
<10%(Sr)
YES
220mA
<10ms
RFI>3V/m / EFT>1KV / ESD>4KV (contact)
IEC 60947-5-2,Part 7.4.1 / IEC 60947-5-2,Part 7.4.2
PBT

FQP1-3202N-ARU4F	37
FQP1-3202N-BRU4F	37
FQP1-3202P-ARU4F	38
FQP1-3202P-BRU4F	38
HQP1-3202N-ARU4F	37
HQP1-3202N-BRU4F	37
HQP1-3202P-ARU4F	38
HQP1-3202P-BRU4F	38

Please see Page 18 for details and specifications of DC 2-Wire models on this page.

4 φ 3x0.15
Approx.65 g

Q40
●
5 mm
PBT RESIN
●



10-30VDC or 10-55VDC
<10%
<10mA or <20mA
200mA
<0.01mA
-
<1.5V or <2.0V
1KHZ
0.2ms/0.2ms
<15%(Sr)
<1.0%(Sr)
IP67
-25°C - +70°C
<10%(Sr)
YES
220mA
<10ms
RFI>3V/m / EFT>1KV / ESD>4KV (contact)
IEC 60947-5-2,Part 7.4.1 / IEC 60947-5-2,Part 7.4.2
PBT

FQP1-4205N-A3U2F	85
FQP1-4205N-B3U2F	86
FQP1-4205P-A3U2F	87
FQP1-4205P-B3U2F	88
HQP1-4205N-A3U2F	85
HQP1-4205N-B3U2F	86
HQP1-4205P-A3U2F	87
HQP1-4205P-B3U2F	88

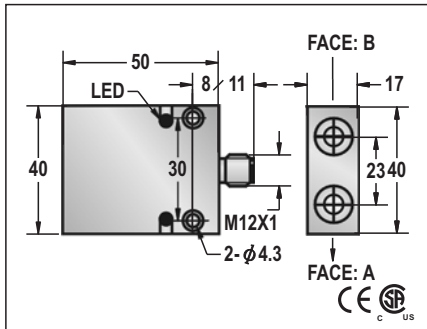
4 φ 3x0.15
Approx.120 g

Note:
In Preparation: Part numbers with a line through the middle

DC INDUCTIVE PROXIMITY SWITCH DOUBLE SENSOR TYPE

DC INDUCTIVE PROXIMITY SWITCH
DOUBLE SENSOR TYPE

Q40
●
5 mm
PBT RESIN
●



10-30VDC or 10-55VDC
<10%
<10mA or <20mA
200mA
<0.01mA
-
<1.5V or <2.0V
1KHZ
0.2ms/0.2ms
<15%(Sr)
<1.0%(Sr)
IP67
-25 °C - +70 °C
<10%(Sr)
YES
220mA
<10ms
RFI>3V/m / EFT>1KV / ESD>4KV (contact)
IEC 60947-5-2,Part 7.4.1 / IEC 60947-5-2,Part 7.4.2
PBT

<u>FQP1-4205N-ARU4F</u>	37
<u>FQP1-4205N-BRU4F</u>	37
<u>FQP1-4205P-ARU4F</u>	38
<u>FQP1-4205P-BRU4F</u>	38
<u>HQP1-4205N-ARU4F</u>	37
<u>HQP1-4205N-BRU4F</u>	37
<u>HQP1-4205P-ARU4F</u>	38
<u>HQP1-4205P-BRU4F</u>	38

1. Voltage Drop:<1.5V(10-30V),<2V(10-55V).
2. 10-55V type: No Load Current < 20mA.

Approx.85 g

Note:
Coming Soon : Part numbers with underline